

DS-2DE3C216MWG1-E

2 MP 16X Powered by DarkFighter Smart Hybrid Light Network PTZ Camera

Powered by

DarkFighter



Hikvision DS-2DE3C216MWG1-E 2MP 16 × IR Network Speed Dome adopts 1/2.8" progressive scan CMOS chip. With the 4 × optical zoom lens, the camera offers more details over expansive areas.

This series of cameras can be widely used for wide ranges of high-definition, such as rivers, roads, railways, airports, squares, parks, scenic spots, and venues, etc.

Hikvision has been dedicated to develop products with security since established.

Hikvision always follows security by design principle and has adopted many methods of security technologies into our product development lifecycle, including terminal security, data security, application security, network security, and privacy protection. In the meantime, the security technologies used by Hikvision are all in compliance with local applicable laws and safety regulations. These security measures could enhance product's cyber security protection capability and protect your devices as well as your data from malicious cyber attacks.

- High quality imaging with 2 MP resolution
- Excellent low-light performance with powered-by-DarkFighter technology
- Secures an expansive area with 16× optical zoom and 16× digital zoom
- Supports WDR, HLC, BLC, 3D DNR, defog, regional exposure, regional focus
- Supports 12V DC & PoE+
- Support Human and Vehicle Detection

▪ Specification

Camera	
Image Sensor	1/2.8" Progressive Scan CMOS
Min. Illumination	Color: 0.01 Lux @ (F1.7, AGC ON), B/W: 0.005 Lux @ (F1.7, AGC ON), 0 Lux with IR
Shutter Speed	1 s to 1/30,000 s
Slow Shutter	yes
Zoom	16 × optical, 16 × digital
Day & Night	ICR
Max. Resolution	1920 × 1080
Lens	
Focus	auto, manual, semi-auto
Focal Length	5 to 80 mm
Zoom Speed	Approx. 3.3 s
FOV	Horizontal field of view: 54.9° to 2.7°, vertical field of view: 31.5° to 1.5°, diagonal field of view: 62.2° to 3.1°
Aperture	Max. F1.7
Illuminator	
Supplement Light Type	IR, White Light
Smart Supplement Light	Yes
Supplement Light Range	White light distance: up to 30 m, IR distance: up to 80 m
PTZ	
Movement Range (Pan)	0° to 360°
Movement Range (Tilt)	-5° to 90°
Pan Speed	Pan speed: configurable from 1° to 35°/s, preset speed: 35°/s
Tilt Speed	Tilt speed: configurable from 1° to 30°/s, preset speed 30°/s
Proportional Pan	yes
Presets	300
Patrol Scan	8 patrols, up to 32 presets for each patrol
Power-off Memory	yes
Park Action	Preset, pattern scan, patrol scan, auto scan, tilt scan, random scan, frame scan, panorama scan
3D Positioning	yes
PTZ Status Display	yes
Scheduled Task	Preset, pattern scan, patrol scan, auto scan, tilt scan, random scan, frame scan, panorama scan, dome reboot, dome adjust
Video	
Third Stream	50 Hz : 25 fps (1920 × 1080 , 1280 × 960 , 1280 × 720 , 704 × 576 , 640 × 480 , 352 × 288) 60 Hz : 30 fps (1920 × 1080 , 1280 × 960 , 1280 × 720 , 704 × 480 , 640 × 480 , 352 × 240)
Region of Interest (ROI)	1 fixed regions for each stream
Main Stream	50 Hz: 25 fps (1920x1080,1280x960,1280x720), 60 Hz: 30 fps (1920x1080,1280x960,1280x720)

Sub-Stream	50 Hz:25 fps(704 × 576,640 × 480,352 × 288) 60 Hz:30 fps(704 × 480,640 × 480,352 × 240)
Video Compression	H.265,H.264,MJPEG
Video Bit Rate	32 kbps to 16384 kbps
H.264 Type	main profile,baseline profile,high profile
H.265 Type	main profile
Scalable Video Coding (SVC)	yes
Audio	
Audio Compression	G.711,G.722.1,G.726,MP2L2,PCM,AAC
Audio Bit Rate	MP2L2: 32 kbps, 40 kbps, 48 kbps, 56 kbps, 64 kbps, 80 kbps, 96 kbps, 112 kbps, 128 kbps, 144 kbps, 160 kbps; AAC : 16 kbps, 32 kbps, 64 kbps; MP3: 8 kbps, 16 kbps, 32 kbps, 40 kbps, 48 kbps, 56 kbps, 64 kbps, 80 kbps, 96 kbps, 112 kbps, 128 kbps, 144 kbps, 160 kbps
Audio Sampling Rate	8 kHz,16 kHz
Environment Noise Filtering	yes
Network	
API	ONVIF (ProfileS, ProfileG, ProfileT),ISAPI,SDK,ISUP
Network Storage	NAS (NFS, SMB/ CIFS), ANR
Protocols	SSL/TLS,ISUP,WebSocket,WebSockets,IPv4,IPv6,TCP/IP,ICMP,HTTP,HTTPS,FTP,DHCP,DNS,DDNS,RTP,RTSP,RTCP,PPPoE,NTP,UPnP,SMTP,SNMP,IGMP,802.1X,QoS,IPv4/IPv6,UDP
Simultaneous Live View	Up to 6 channels
User/Host	32
Security	802.1X authenticated access,MAC address binding,Authenticated username and password,IP address filter,HTTPS encryption
Client	iVMS-4200,Hik-Connect
Web Browser	Chrome80+ , Firefox80+ , Safari13+ , Edge89
Image	
Image Settings	contrast,gain,saturation,sharpness,brightness,white balance,adjustable by client software or web browser
SNR	≥ 52 dB
Defog	Digital defog
Day/Night Switch	day, night, auto, scheduled-switch
Image Enhancement	BLC,HLC,3D DNR
Privacy Mask	24 programmable polygon privacy masks
Regional Focus	Yes
Regional Exposure	Yes
Image Parameters Switch	Yes
Interface	
Built-in Microphone	1 built-in microphone
Built-in Speaker	1 built-in speaker
Ethernet Interface	RJ45, self-adaptive 10M/100M Ethernet port
On-board Storage	Built-in memory card slot, support Micro SD/SDHC/SDXC, up to 512 GB
Reset	yes

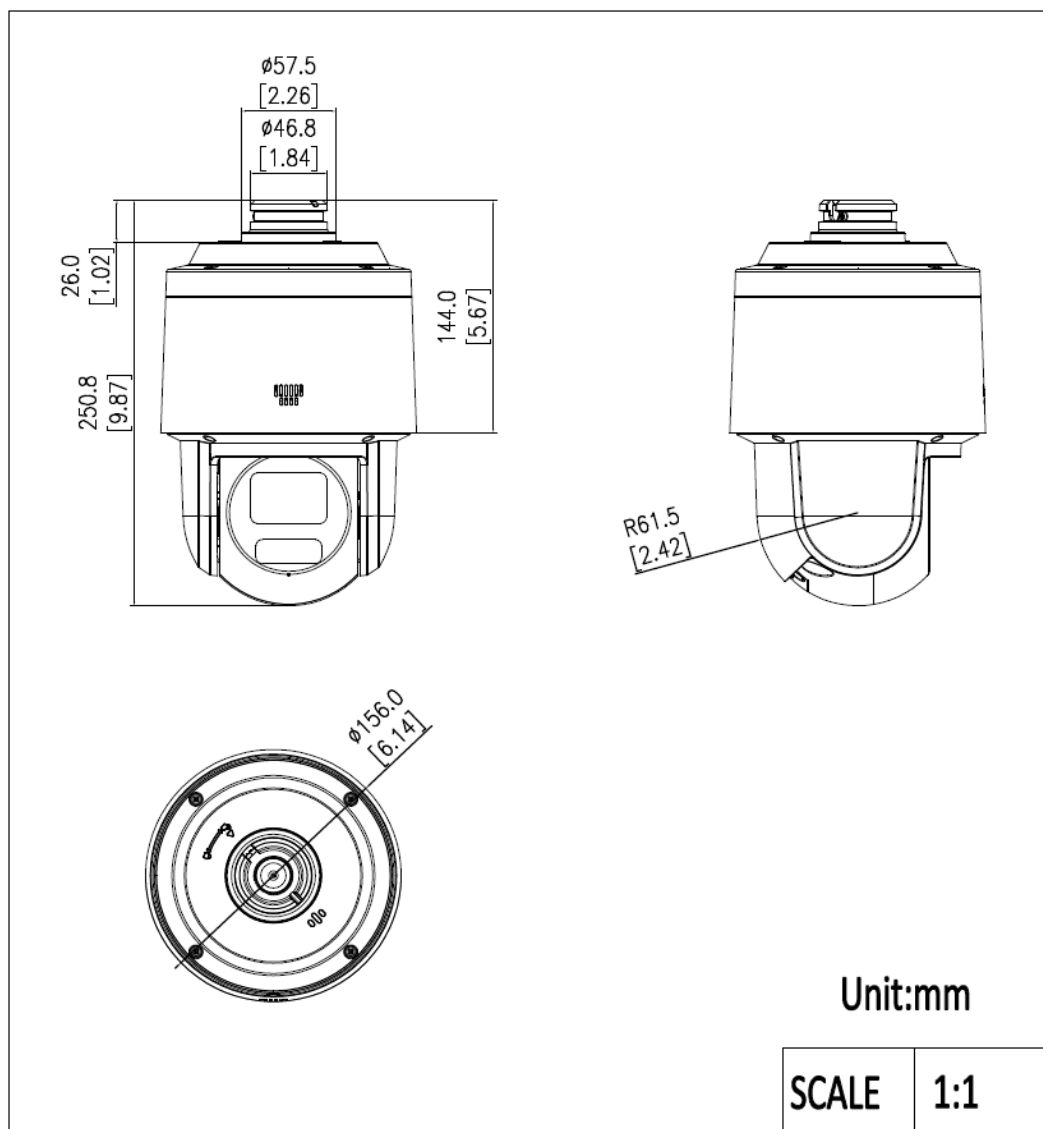
Event	
Basic Event	exception (network disconnected, IP address conflict, illegal login, HDD full, HDD error), Motion detection, video tampering alarm
Smart Event	audio exception detection, region entrance detection, region exiting detection, intrusion detection, Line crossing detection
Linkage	Upload to FTP/NAS/memory card, notify surveillance center, send email, trigger recording, trigger capture, white light flashing, audible warning, smart tracking
Linkage and Tracking	
Smart Linkage	yes
General	
General Function	mirror, password protection, watermark, IP address filter
Power	12 VDC, max.12W, PoE+
Operating Condition	-30 °C to 50 °C (-22 °F to 122 °F). Humidity 95% or less (non-condensing)
Material	PC
Dimension	Ø156 mm × 250.8 mm (Ø6.14" × 9.87")
Weight	Approx. 1.2 kg (2.65 lb.)
Approval	
Protection	IP66 (IEC 60529-2013)

▪ DORI

DORI	Detect	Observe	Recognize	Identify
Distance (Tele)	1391.3m(4563.5 ft)	552.1m(1810.9 ft)	278.3m(912.7 ft)	139.1m(456.3 ft)

The DORI (detect, observe, recognize, identify) distance gives the general idea of the camera ability to distinguish persons or objects within its field of view. It is calculated based on the camera sensor specification and the criteria given by EN 62676-4: 2015.

▪ Dimension



See Far, Go Further



www.hikvision.com
support@hikvision.com

